



ECOdip installation manual

Dear customer,

Company Aplast expresses gratitude for your trust in us with purchasing our ECOdip products. Please take a moment and carefully read the instruction manual to ensure safe and correct installation of our product. Disregarding the manual can cause damage to the product or environment and will void the warranty.

1	TABLE OF CONTENTS	2
2	MANUFACTURER INFORMATION	3
	2.1 Company name and address	3
	2.2 Telephone, fax, e-mail	3
	2.3 Website	3
3	TECHNICAL SPECIFICATION	4
4	GENERAL INSTALLATION INSTRUCTIONS	4
	4.1 Transport and manipulation	4
	4.2 Preparations of the construction pit	5
	4.3 Positioning and backfill	6
	4.4 Positioning and backfill in case of ground water	8
	4.5 Installation in poorly permeable soil	10
	4.6 Installation on unstable terrain	11
5	OTHER INFORMATION	11
6	PICTURES OF INSTALLATION	12

2.1 Company name and address

Aplast d.o.o.
Ložnica pri Žalcu 37
3310 Žalec
Slovenia

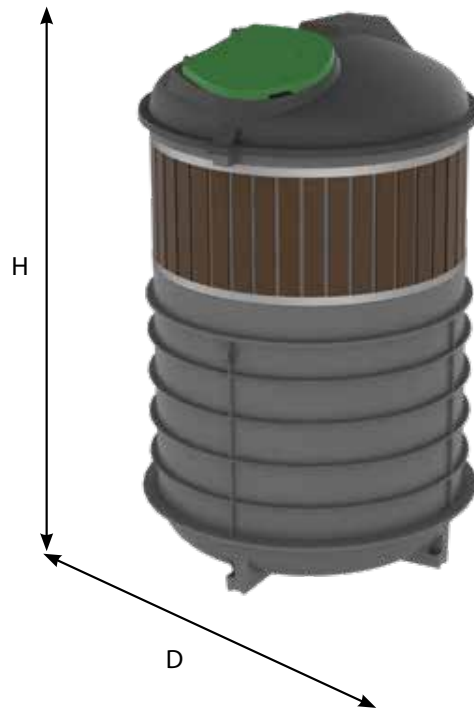
2.2 Telephone, fax, e-mail

Tel.: 03 713 62 00
Fax.: 03 713 62 02
e-mail: info@aplast.si

2.3 Website

www.ecodip.si
www.aplast.si

ECOdip semi-underground containers are manufactured with roto-moulding process in three standard dimensions (1.300 l, 3.000 l and 5.000 l). External dimensions are shown in the table below.



Volume	Max. height (H)	Diameter (D)
1.300 l	2950 mm	850 mm
3.000 l	2950 mm	1250 mm
5.000 l	2950 mm	1650 mm

4 GENERAL INSTALLATION INSTRUCTIONS

- The contents of the installation instructions must be followed strictly, otherwise the warranty will be void. ECDip containers must be inspected before installation to ensure that they were not damaged during transport. Installation instructions must be removed from the container.
- Installation is carried out by a professional company with qualified experts who are familiar with the installation instructions.
- Follow the safety instructions when handling and installing the container.
- Before installation take in consideration not only the presence of groundwater, but also the possibility of the influence of the backwater.
- The product is to be installed in prepared construction pits and filled according to the manufacturer's instructions.
- Only elements recommended by the manufacturer may be installed on the ECDip container. When installing non recommended elements the manufacturer cannot guarantee proper operation and therefore the product is not covered by warranty.
- After installation, remove the protective cover from the product and dispose of it in a dedicated waste container.

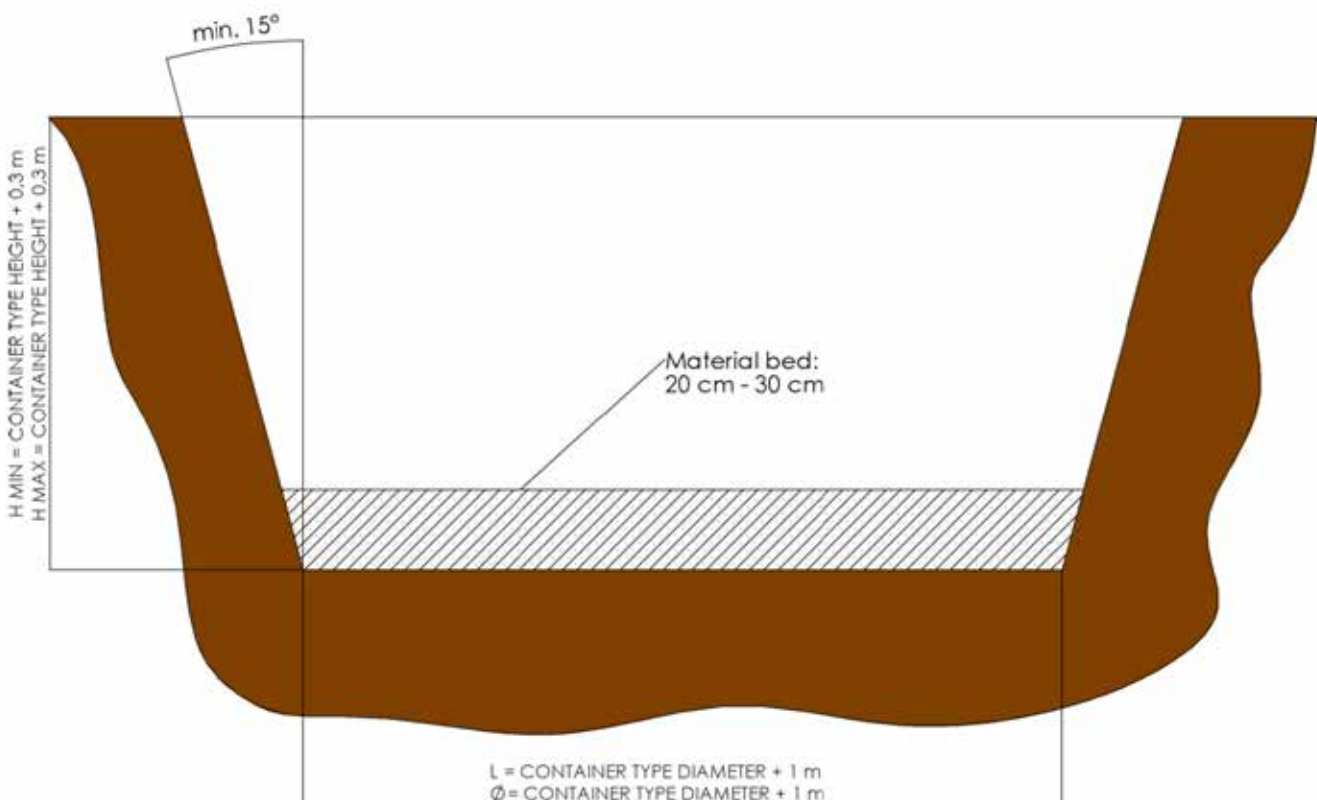
4.1 Transport and manipulation

Transport of the containers shall only be carried out with suitable transport aids. Containers must be protected against slips and falls with tensioning belts. Lifting and tying containers with steel ropes, chains and the like are not permitted. Dedicated lifting attachments on the container must be used for lifting.

4.2 Preparations of the construction pit

When selecting an installation area, accessibility for waste disposal vehicles should be considered. Inserts are lifted from the containers vertically, so the area must be picked where there are no obstacles (trees, electrical wiring, street lights,...). Containers should be spaced sufficiently from objects / facilities that could impede the accessibility of vehicles and insert lifting.

The construction pit should be the same as shown below. The maximum depth must be sufficient for the material bed and the installation height of the product. The construction pit should be about 0.5 m larger than the diameter of the container and dug at an angle of at least 15 degrees. The container must be placed on suitable material bed, which must be firm and compact. The appropriate bed thickness is 20 to 30 cm. In the case of groundwater, the bed must be made of at least 15 cm of C12/15 concrete.

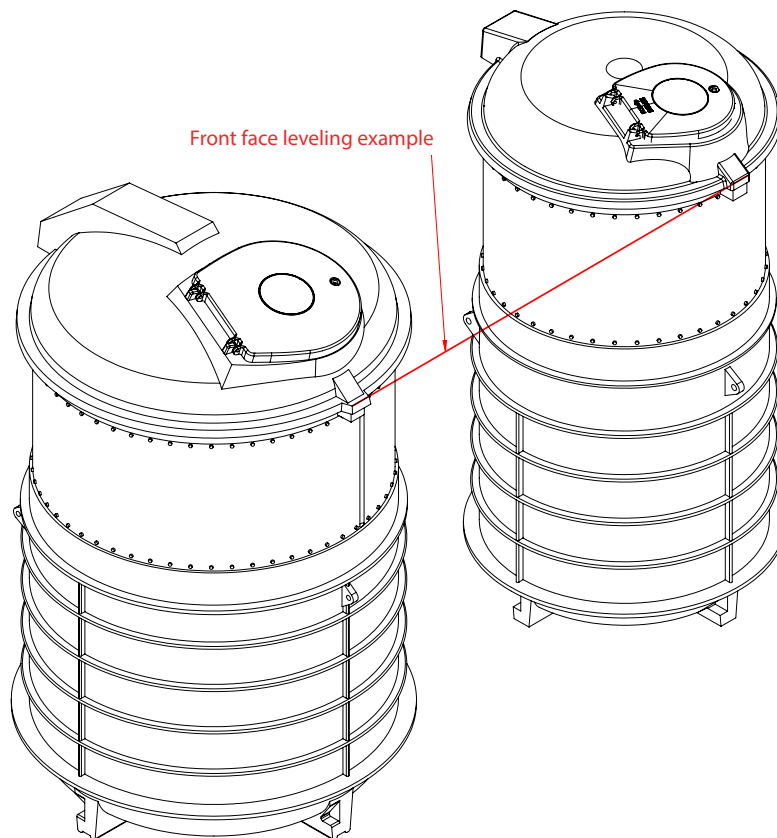


Picture: Installation pit

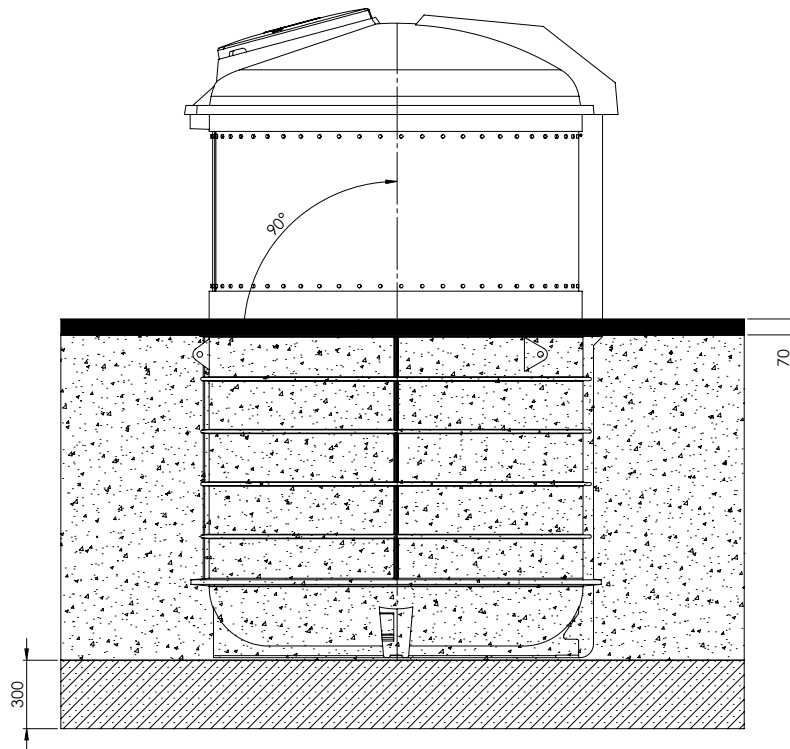
4.3 Positioning and backfill

Containers should be aligned in a plane with the top rib perpendicular to the surface (pictured below). In a case of different sizes and horizontal arrangement, you can align the containers to the front surface as shown on the figure below. Containers can also be aligned by the centre of the diameter. The space between containers must be filled and compacted. If more than one container is installed in the pit it is necessary to take into account the distance between the containers which should be no less than 80 cm, so that the material can be properly compacted. Proper backfill material is required. Round grain material mixture of size 0 mm – 32 mm or crushed material mixture from 9 mm to 16 mm. The use of frozen material is not allowed.

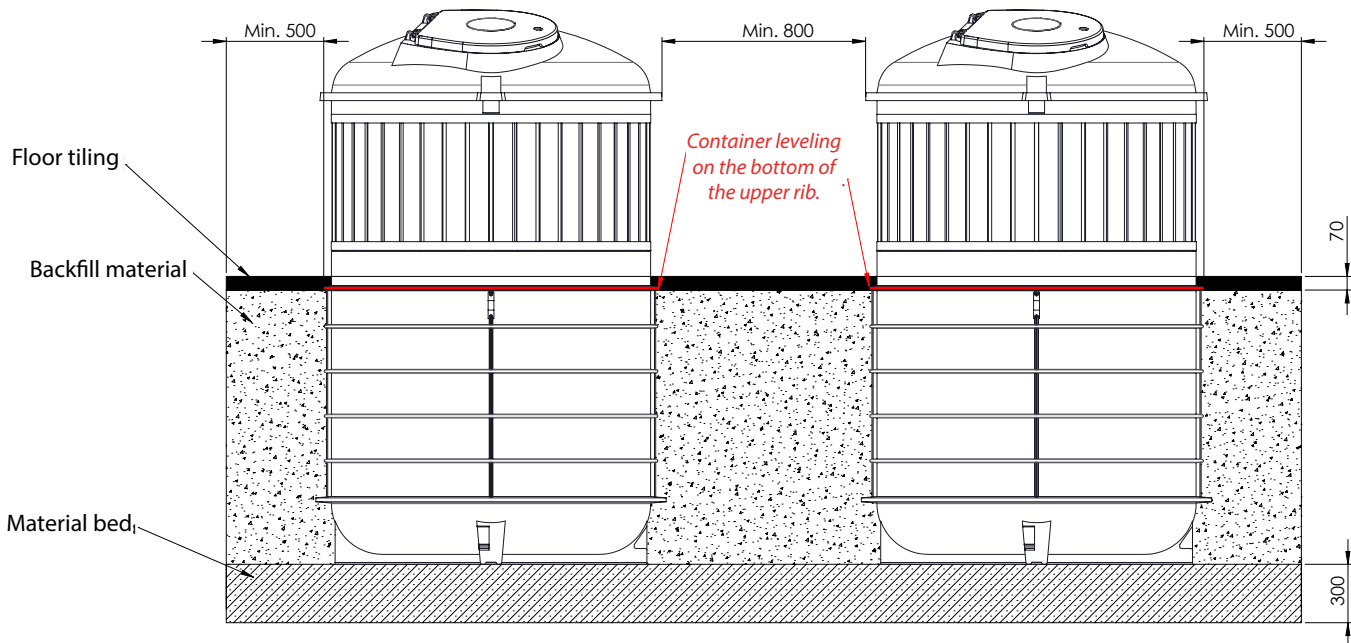
Backfill material should be carefully compacted in layers (up to 50 cm) at least 0,5 m around the container diameter. Compression width of a minimum 97% Proctor must be achieved. When installing the containers be careful not to drive over the products or backfill with the construction machines.



Picture: Leveling 3000 + 5000



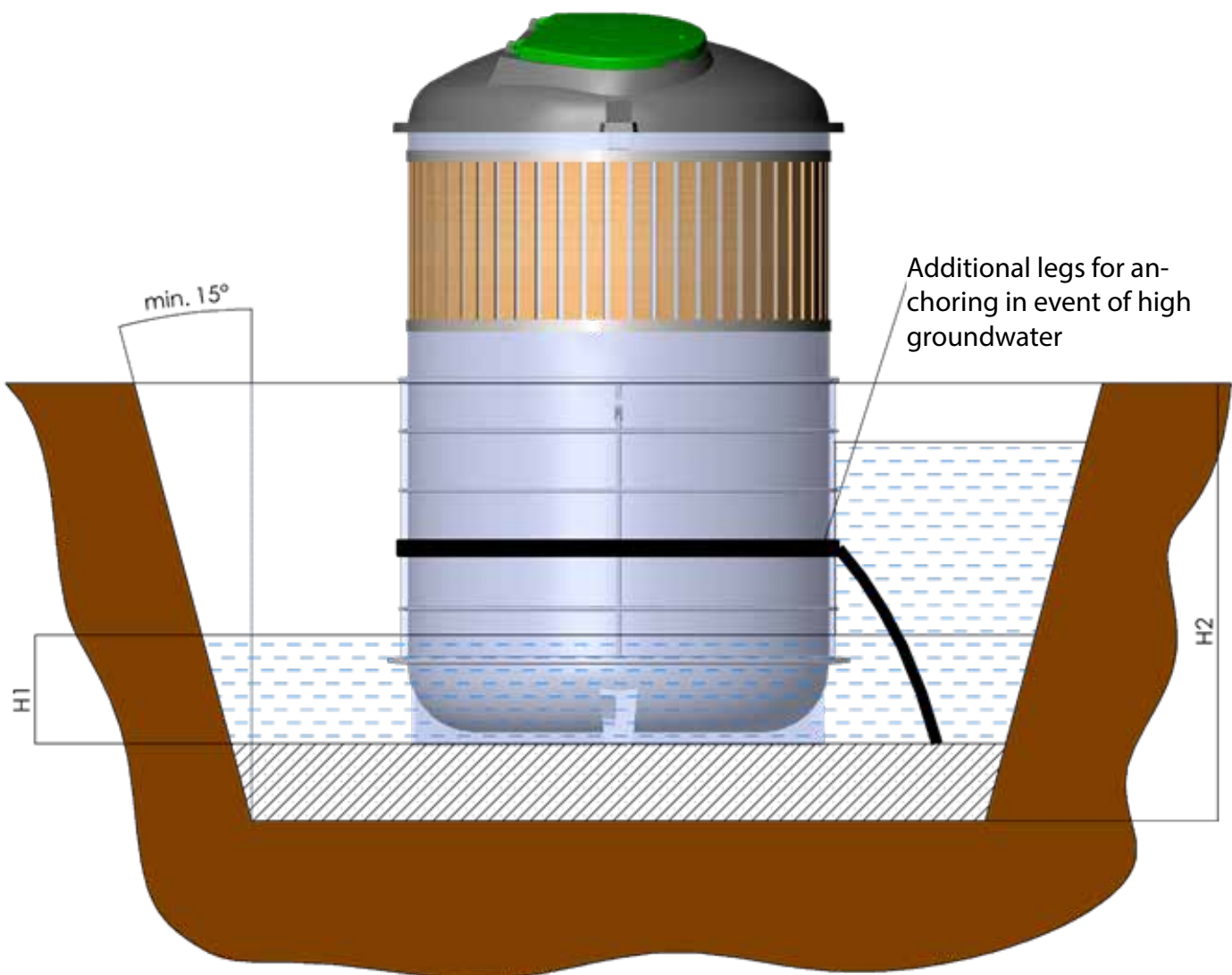
Picture: Vertical leveling



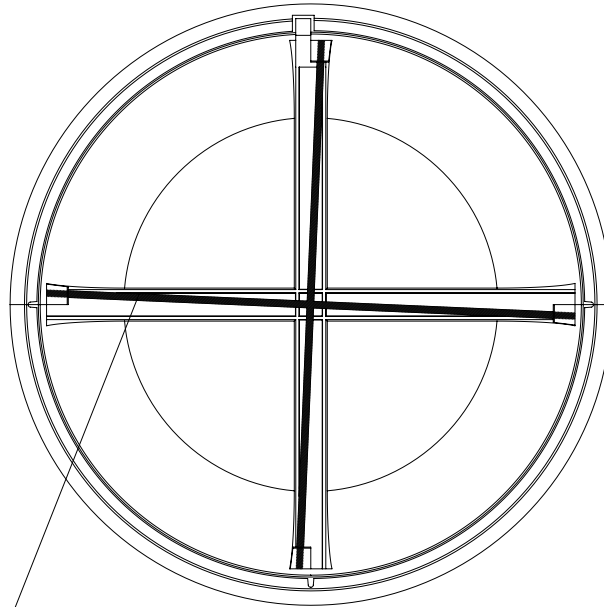
Picture: Horizontal leveling

4.4 Positioning and backfill in case of groundwater

If groundwater is present, the height of the groundwater must be taken into account. In the case of low groundwater $H_1 = 30$ cm, the container should be placed on a 15 cm concrete bed and filled according to the procedure described above. The bottom of the container is further reinforced with a metal cross to reduce the negative effect of groundwater deformation. If the groundwater exceeds the height of 30 cm, the containers must be anchored with additional plastic legs encased in concrete layer.



Picture: Groundwater anchoring

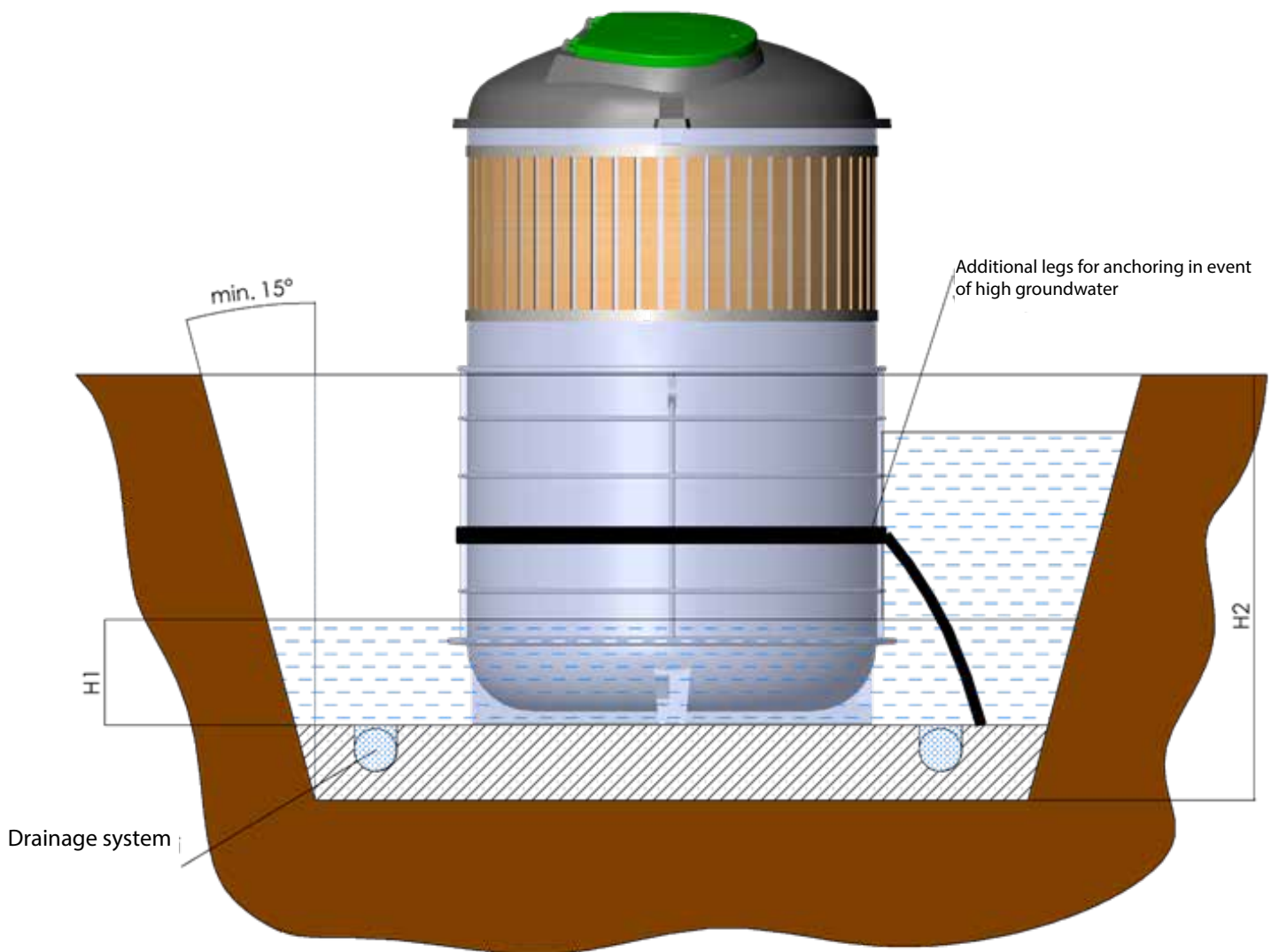


Picture: Metal cross reinforcement. (comes with every 3000 l, 5000 l)



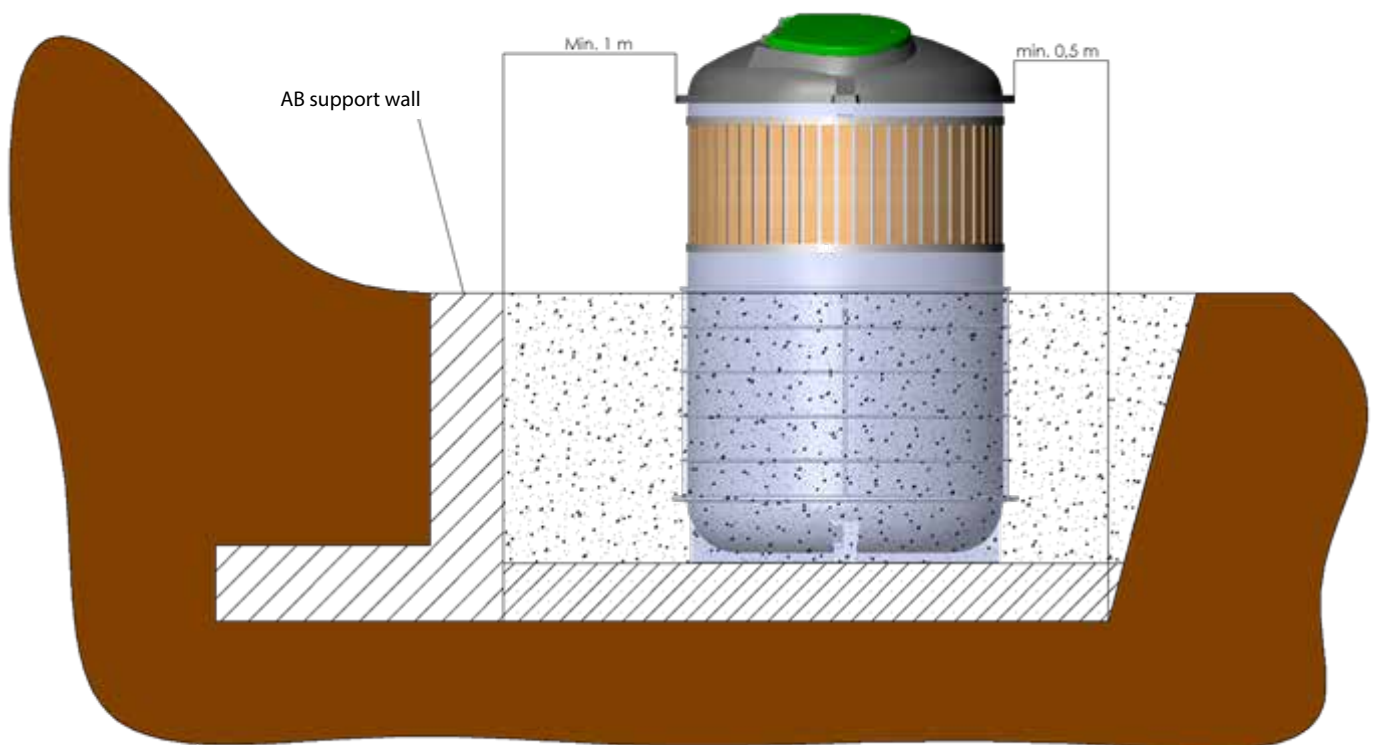
4.5 Installation in poorly permeable soil

When installing the containers in an area of poorly permeable soil where water may be trapped in the construction pit, it is necessary to drain the construction pit with the help of drainage system. The drainage system must drain water in such a way that the water does not permanently stagnate throughout the volume of the construction pit, otherwise the container housing may be deformed.



4.6 Installation on unstable terrain

If the unstable terrain is selected for the installation of the container it is necessary to install the AB supporting wall on the side of the terrain where the material would otherwise pressure the container. The dimensions of the supporting wall and the amount of reinforcements are determined by qualified expert.



Picture: Installation on unstable terrain

5 Other information

Before installing ECOdip products in areas with groundwater please consult with your ECOdip distributor.

For all unanswered questions please consult with your ECOdip distributor.

If containers are installed in public areas, the manufacturer recommends installing a safety fence around the installation site. The height of the fence is at least 200 cm.

In the event of removing the containers please hand it over to an authorized waste management company. You will contribute your share in the protection of the environment.

