

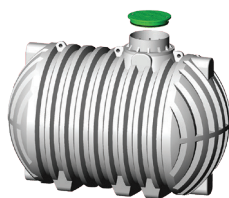
AQUAstay tanks

for rainwater, drinking water and waste waters

RAIN WATER



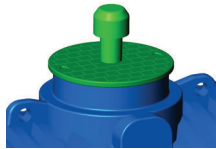
DRINKING WATER



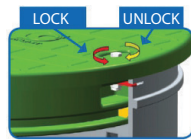
WASTE WATER



Vent



Security lock
(Child protection)



Cast iron cover



Ring H = 250 mm

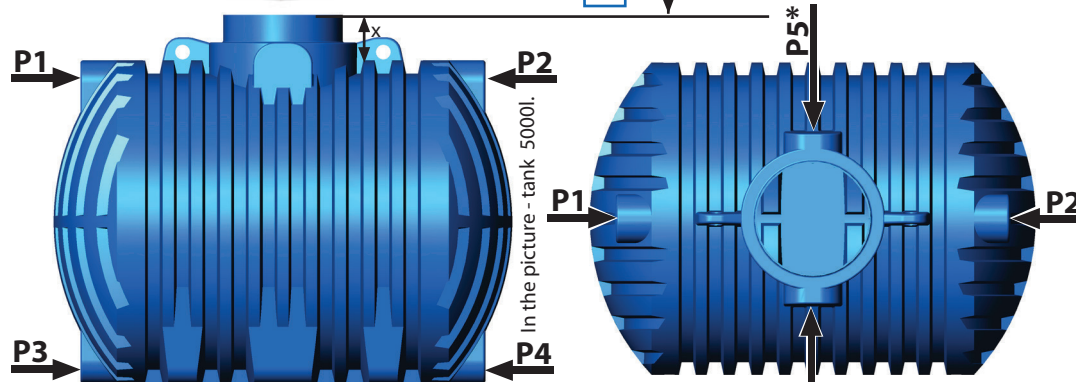
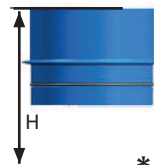
Ring H = 500 mm

Ring gasket



Telescopic extension

H = _____ mm
H = 270 ÷ 330 mm



*Connections P5 and P6 are available only in type XL and XXL.

Height x depends on tank type: type L x = 200mm, type XL x = 240mm, type XXL x = 300mm

All tanks are equipped with connection on P4. Type L with 1", XL and XXL with 6/4".

Tanks from 16.000 to 50.000 liters have 2 inspection openings.

APLAST

APLAST proizvodnja in trgovina d.o.o.
Ložnica pri Žalcu 37, 3310 Žalec, Slovenija
www.aplast.si | info@aplast.si

ORDER SHEET:

CUSTOMER: _____

ADDRESS: _____

PHONE/EMAIL: _____

ORDER DATE: _____

DELIVERY DATE: _____

SIGNATURE: _____

TANK VOLUME:

TYPE	VOLUME (l)	No. reservoirs
	2.000	<input type="checkbox"/>
	2.500	<input type="checkbox"/>
	3.000	<input type="checkbox"/>
XL	3.500	<input type="checkbox"/>
XL	5.000	<input type="checkbox"/>
XL	6.000	<input type="checkbox"/>
XL	7.000	<input type="checkbox"/>
XL	10.000	<input type="checkbox"/>
XXL	8.000	<input type="checkbox"/>
XXL	10.000	<input type="checkbox"/>
XXL	12.000	<input type="checkbox"/>
XXL	16.000	<input type="checkbox"/>
XXL	18.000	<input type="checkbox"/>
XXL	20.000	<input type="checkbox"/>
XXL	26.000	<input type="checkbox"/>
XXL	28.000	<input type="checkbox"/>
XXL	30.000	<input type="checkbox"/>
XXL	36.000	<input type="checkbox"/>
XXL	38.000	<input type="checkbox"/>
XXL	40.000	<input type="checkbox"/>
XXL	46.000	<input type="checkbox"/>
XXL	50.000	<input type="checkbox"/>

CONNECTIONS ON TANK		PLACE OF CONNECTIONS						
TYPE	VOLUME (l)	No. reservoirs	P1	P2	P3	P4	P5*	P6*
INLET GASKET	VT - 75mm (izv.83mm)	<input type="checkbox"/>						
	VT - 110mm (izv.124mm)	<input type="checkbox"/>						
	VT - 125mm (izv.138mm)	<input type="checkbox"/>						
	VT - 160mm (izv.175mm)	<input type="checkbox"/>						
	VT - 200mm (izv.215mm)	<input type="checkbox"/>						
	IN			DIFFERENCE - IN, OUT				
	OUT			Δh = _____ mm				
PIPE CONNECTIONS	L=300mm 3/4" - 25mm	<input type="checkbox"/>						
	L=300mm 1" - 32mm	<input type="checkbox"/>						
	L=300mm 5/4" - 40mm	<input type="checkbox"/>						
	L=400mm 6/4" - 50mm	<input type="checkbox"/>						
	L=400mm 2" - 63mm	<input type="checkbox"/>						
	L=400mm 2 1/2" - 75mm	<input type="checkbox"/>						
	L=400mm 3 1/2" - 110mm	<input type="checkbox"/>						
L=400mm 4" - 125mm	<input type="checkbox"/>							
ADDITIONAL								
NOTES:								